

Above Ground Swimming Pool Pump Motors

Jetted Tub/Spa/Above Ground Swimming Pool Pump Motors – Split Phase, Capacitor Start & PSC Single-phase – Drip-proof – Ball Bearing – Rigid Base & No Base – 3450 and 3450/1725 RPM – 1/2 thru 4 HP SP

Features:

- 12 & 3 O'clock Conduit Entries
- 40°C Ambient
- Class B Insulation
- Rotation: CCW Pump End
- Through Bolt Mount
- 48/56 Base Mounting
- 3-1/2" Shaft Height
- Four Thru Bolts on a 5.146 Bolt Circle



Applications: Spa, above ground swimming pool and jetted tub pumps.

Optional Flex-48 Accessories: Airswitch (#17800901), Single-speed Toggle Switch Assy. - On/Off (#18374501), Day/Night Controller (#18602401), Two-speed Toggle Switch Assy. - Lo/Off/Hi (#18313301)

Century Flex-48 W/Stainless Steel Shaft & Ball Bearings • “1081” • “1795” • “1563” • Rigid Base

HP	RPM	Volts	Hz	Full Load Amps	Service Factor	Frame	Stock Number	Shaft	Overload Protector	“C” Dim.	Notes
1/2	3450	115	60	7.2	1.0	48Y	BN23SS	Threaded	Auto	11.08	
3/4	3450	115	60	9.8	1.0	48Y	BN24SS	Threaded	Auto	11.08	1
		115	60	9.8	1.0	48Y	BN24V1	Threaded	Auto	11.08	
1	3450	115	60	12.0	1.0	48Y	BN25SS	Threaded	Auto	11.58	1
		115	60	12.0	1.0	48Y	BN25V1	Threaded	Auto	11.58	
1-1/2	3450	230/115	60	8.0/16.0	1.0	48Y	BN35SS	Threaded	Auto	12.08	45
		115	60	17.0	1.0	48Y	BV35SS	Threaded	Auto	12.08	1
		115	60	17.0	1.0	48Y	BV35V1	Threaded	Auto	12.08	
2	3450	230/115	60	10.0/20.0	1.0	48Y	BN40SS	Threaded	Auto	13.33	45

Century Flex 48 LASAR® Line (Low Amp Start and Run) • Two-speed • “1081” • “1563” • Rigid Base

3/4~1.0	3450/1725	115	60	8.8/2.6	1.0	48Y	BN36	Threaded	Auto	12.08	
1~1.2	3450/1725	115	60	11.0/2.9	1.0	48Y	BN37	Threaded	Auto	12.08	45
1-1/2~2.5	3450/1725	115	60	16.4/4.4	1.0	48Y	BN50	Threaded	Auto	12.83	45
1-1/2~1.8	3450/1725	230	60	8.0/2.6	1.0	48Y	BN34	Threaded	Auto	12.83	45
2~2.5	3450/1725	230	60	10.5/2.6	1.0	48Y	BN51	Threaded	Auto	13.33	45

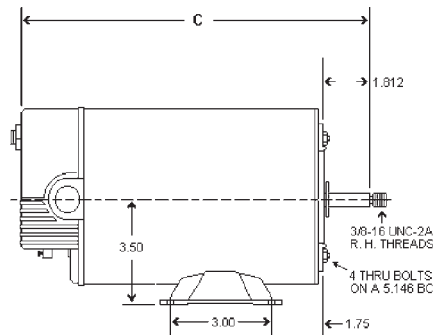
Century Flex 48 LASAR-XL • Extra Low Running Amps • Two-speed • Rigid Base

1~1.2	3450/1725	115	60	10.3/3.1	1.0	48Y	BN38	Threaded	Auto	12.83	45
1-1/2~1.8	3450/1725	115	60	13.8/3.8	1.0	48Y	BN60 ★	Threaded	Auto	12.83	68,145,\$
2~2.5	3450/1725	230	60	8.5/2.8	1.0	48Y	BN61 ★	Threaded	Auto	13.33	68,145,\$
3~3.8	3450/1725	230	60	12.0/3.5	1.0	48Y	BN62 ★	Threaded	Auto	14.33	68,90,145,\$
4.0~4.2 SPL	3450/1725	208-230	60	12.0/3.5	1.0	48Y	BN63 ★	Threaded	Auto	14.33	68,90,145,\$

Notes:

- Item to be discontinued when stock is depleted
45. Capacitor start
68. PSC Motor
90. 50°C Ambient
145. Run capacitor mounted on motor shell

★ Meets California Energy Commission Appliance Regulations 2008 (Publication Number CEC-400-2006-002-REV1) www.energy.ca.gov



Continues on the next page

Important:

The pool motors on this page are **NOT** equipped with a **Safety Vacuum Release System (SVRS)**. SVRS helps prevent drowning due to body entrapment on underwater drains. In some pool configurations, if a person's body covers the drain, the person can be trapped by suction. The SVRS turns off the pump if this occurs.

⚠ WARNING Depending on your pool configuration, a SVRS may be required to meet local, state, and federal requirements.