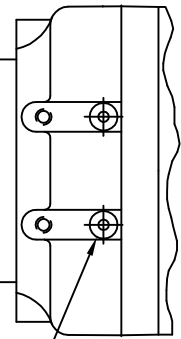


NO. A-24995-B

NO.

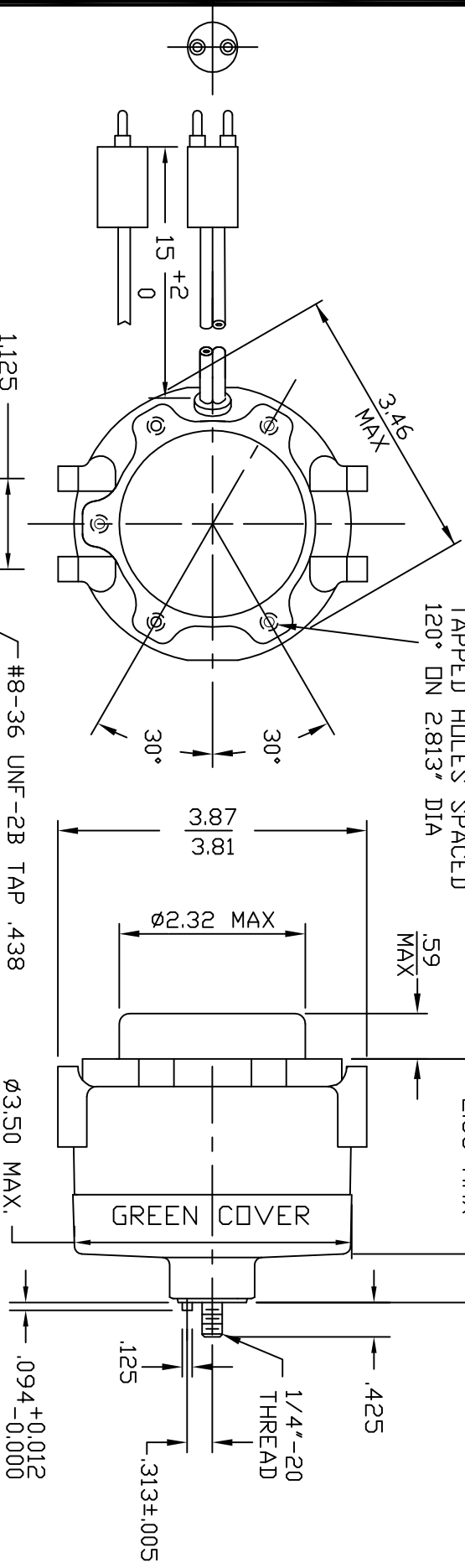
REVISIONS

DATE AND SIGNATURE



REMOVABLE PLUGS AS SHOWN

NOTE: MOUNTING SCREW TORQUE 3 FT.LB. MAX



NOTE: OUTLINE DIMENSIONS FOR WHICH NO LIMIT IS SPECIFIED ARE NOMINAL AND NOT GUARANTEED AS TO TOLERANCE. ADDITIONAL INFORMATION ON TOLERANCES WILL BE FURNISHED ON SPECIFIC REQUEST.

UTBIC1551EM56
 115V 60HZ CW
 CUST NO. 9208F2

ELECTRIC MOTORS AND SPECIALTIES INC.

115V 60HZ CW GARRETT, INDIANA 46738

TOLERANCE .0000±.0002 .000±.005
 .00±.010 FRACTION=±1/64
 0°±30' 0°0'±5' 0°0'0'=REF. ONLY
 ABOVE TOLERANCES APPLY UNLESS OTHERWISE SPECIFIED. TOLERANCES ARE NOT ACCUMULATIVE.

FIRST MADE FOR	UTBIC1551EM56	A.D. SMITH	MATERIAL	CUST NO.	9207F2
DRAWN BY	JIM NICHTER	DATE	SCALE	APPROVED BY	DATE
TITLE	MOTOR OUTLINE		1/2 SIZE		
				NO. A-24995-B	